

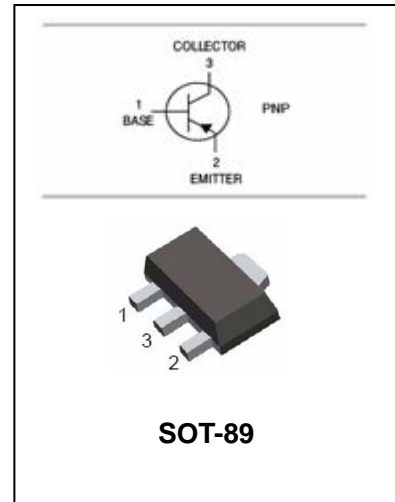


PNP Silicon Planar High Voltage Transistor

FCX558

FEATURES

- Complementary type:FCX458.



ORDERING INFORMATION

Type No.	Marking	Package Code
FCX558	P58	SOT-89

MAXIMUM RATING @ Ta=25°C unless otherwise specified

Symbol	Parameter	Value	Units
V _{CBO}	Collector-Base Voltage	-400	V
V _{CEO}	Collector-Emitter Voltage	-400	V
V _{EBO}	Emitter-Base Voltage	-5	V
I _{CM}	Peak Pulse Current	-500	mA
I _C	Collector Current -Continuous	-200	mA
P _{tot}	Power Dissipation at T _{amb} =25°C	1	W
T _j , T _{stg}	Junction and Storage Temperature	-65 to +150	°C



PNP Silicon Planar High Voltage Transistor

FCX558

ELECTRICAL CHARACTERISTICS @ Ta=25°C unless otherwise specified

Parameter	Symbol	Test conditions	MIN	TYP	MAX	UNIT
Collector-base breakdown voltage	$V_{(BR)CBO}$	$I_C = -100\mu A, I_E = 0$	-400			V
Collector-emitter breakdown voltage	$V_{(BR)CEO}$	$I_C = -10mA, I_B = 0$	-400			V
Emitter-base breakdown voltage	$V_{(BR)EBO}$	$I_E = -100\mu A, I_C = 0$	-5			V
Collector cut-off current	$I_{CBO}; I_{CES}$	$V_{CB} = -320V; V_{CES} = 320V$			-100	nA
Emitter cut-off current	I_{EBO}	$V_{EB} = -4V$			-100	nA
DC current gain	h_{FE}	$V_{CE} = -10V, I_C = -1mA$ $V_{CE} = -10V, I_C = -50mA$ $V_{CE} = -10V, I_C = -100mA$	100 100 15	300		
Collector-emitter saturation voltage	$V_{CE(sat)}$	$I_C = -20mA, I_B = -2mA$ $I_C = -50A, I_B = -6mA$			-0.2 -0.5	V
Base-emitter saturation voltage	$V_{BE(sat)}$	$I_C = -50A, I_B = -5mA$			-0.9	V
Base-emitter Turn-on Voltage	$V_{BE(on)}$	$I_C = -50A, V_{CE} = -10V$			-0.9	V
Transition frequency	f_T	$V_{CE} = -10V, I_C = -50mA,$ $f = 100MHz$	150			MHz
Collector output capacitance	C_{ob}	$V_{CB} = -10V, I_E = 0, f = 1MHz$			10	pF
Switching times	t_{on} t_{off}	$I_C = -50mA, V_C = -100V$ $I_{B1} = -5mA, I_{B2} = -10mA$		95 Typical 1600 Typical		ns ns

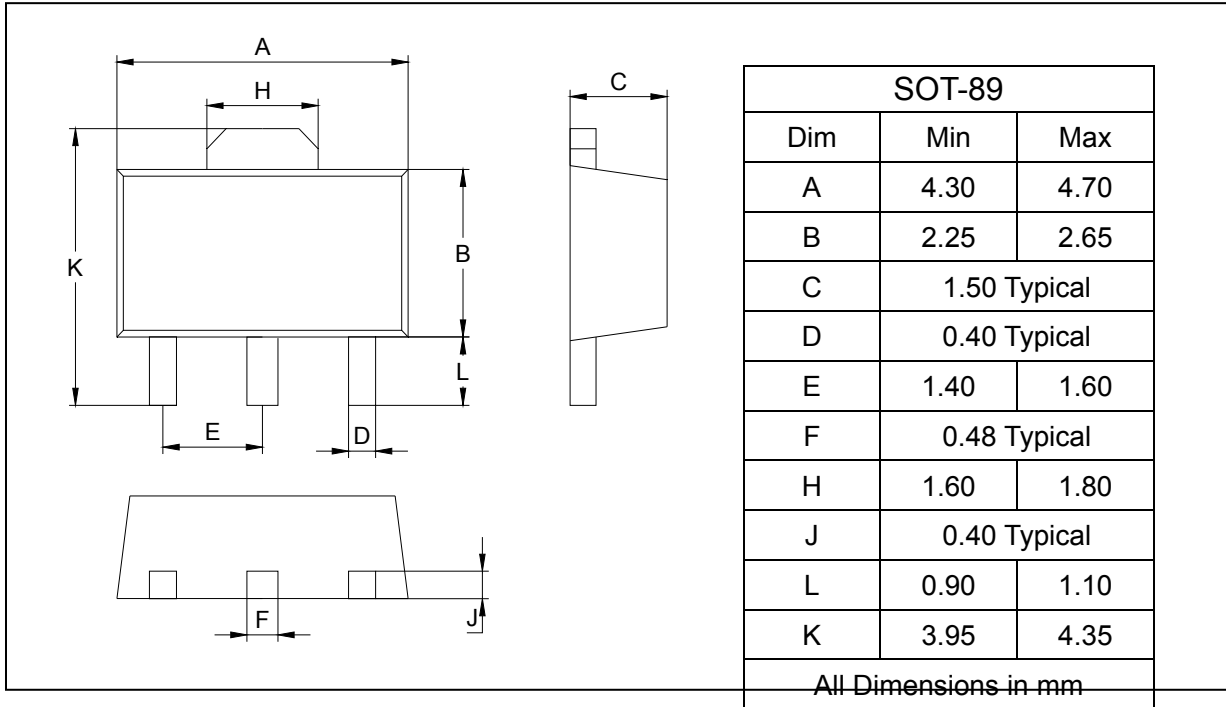
PNP Silicon Planar High Voltage Transistor

FCX558

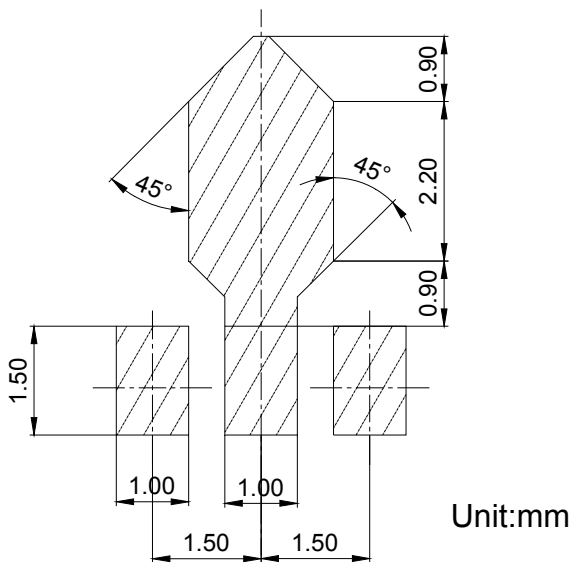
PACKAGE OUTLINE

Plastic surface mounted package

SOT-89



SOLDERING FOOTPRINT



PACKAGE INFORMATION

Device	Package	Shipping
FCX558	SOT-89	1000/Tape&Reel